



# **AES RAPTOR** **R1000™** PATENT PENDING

*Mobile Fall Protection System*  
*Móvil Sistema de Protección Contra Caídas*  
*Système de Protection Mobile Antichute*

## ***Instruction Manual*** ***Manual de Instrucción*** ***Manuel d'Instructions***



### **\*WARNING\***

Serious injury or death may result if this product is used for purposes other than designed. The manufacturer provides the following instructions for the use and care of this equipment. It is the responsibility of the purchaser to understand and convey explicit instruction to each user. The AES Raptor R1000™ complies with the requirements of the Federal Occupational Safety and Health Administration (OSHA) when set up and used according to the manufacturers' instructions.

### **\*ADVERTENCIA\***

Si este producto se utiliza para otros fines que no son el de su diseño podría ocasionar daños graves o hasta la muerte. El fabricante provee las siguientes instrucciones para el uso y cuidado de este equipo. Es responsabilidad del comprador comprender y transmitir instrucciones explícitas a cada usuario. El AES Raptor R1000™ cumple con los requerimientos de la Federal Occupational Safety and Health Administration (OSHA) cuando se instala y se utiliza de acuerdo con las instrucciones del fabricante.

### **\* AVERTISSEMENT \***

L'utilisation de ce produit à d'autres fins que celles pour lesquelles il est conçu peut entraîner des blessures graves, voire mortelles. Le fabricant fournit les instructions suivantes pour l'utilisation et l'entretien de cet équipement. Il relève de la responsabilité de l'acheteur de comprendre et de transmettre les instructions explicites à chaque utilisateur. Le système AES Raptor R1000™ est conforme aux exigences de l'OSHA (Agence pour la sécurité et la santé au travail) lorsqu'il est installé et utilisé conformément aux instructions du fabricant.

# **AES RAPTOR R1000™ INSTRUCTION MANUAL**

**E  
N  
G  
L  
I  
S  
H**

## **AES Raptor, LLC - Raptor R1000™ Instruction Manual**

Published by AES Raptor, LLC, North Kansas City, MO

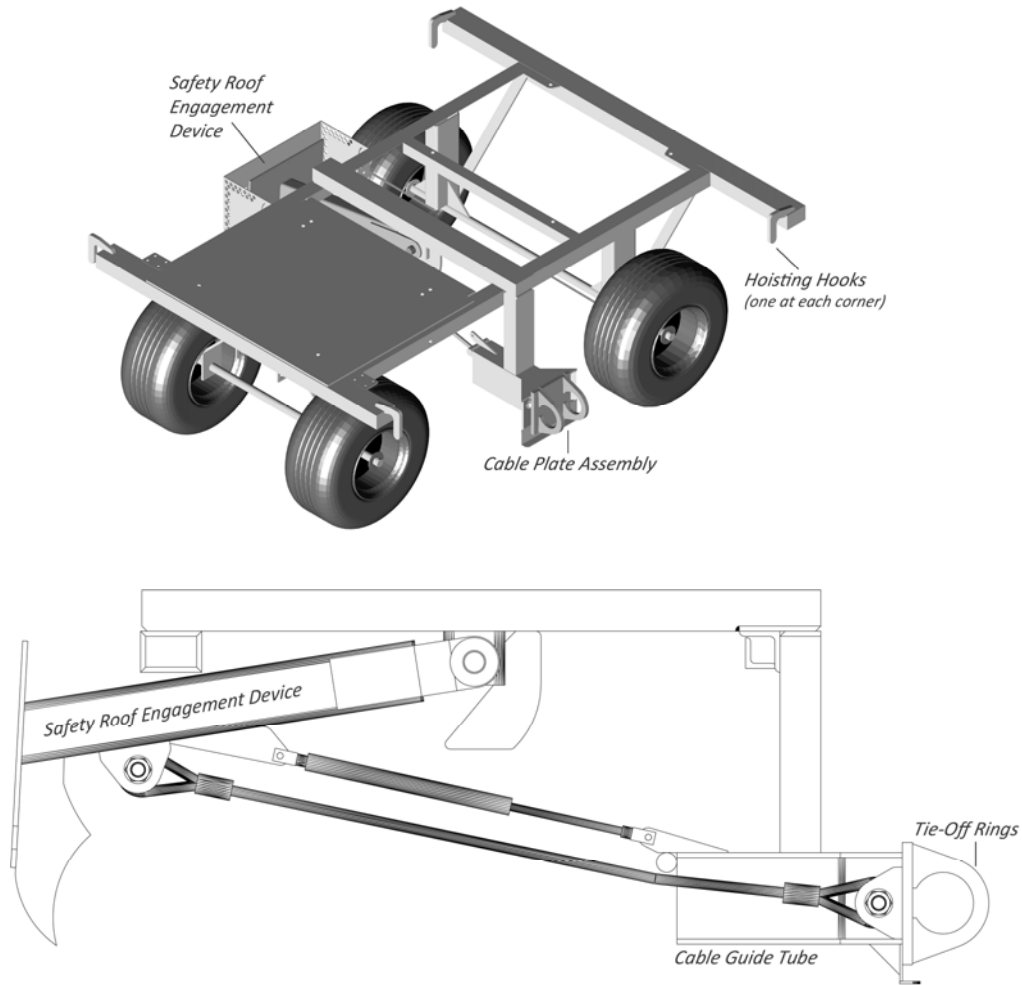
**AES RAPTOR COMPLETE MOBILE FALL PROTECTION SYSTEM**  
is a registered trademark of  
Architectural Exterior Services CORPORATION MISSOURI  
1349 Taney  
North Kansas City MISSOURI 64116  
[www.raptorsafety.com](http://www.raptorsafety.com)

Copyright © 2009 by AES Raptor, LLC

PRINTED IN THE UNITED STATES OF AMERICA

# AES RAPTOR R1000™ INSTRUCTION MANUAL

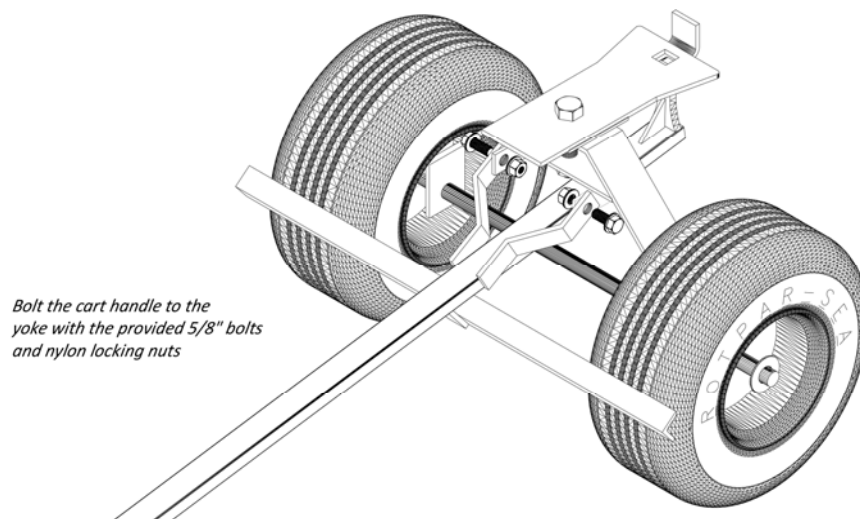
## DIAGRAM OF PARTS



Patent Pending

### 1.0 ASSEMBLY

After unpacking the Raptor R1000, bolt the cart handle to the yoke with the provided 5/8 x 2" bolts and 5/8" nylon locking nuts. Refer to the Illustration below:



# AES RAPTOR R1000™ INSTRUCTION MANUAL

## 2.0 APPLICATIONS

- 2.1 The Raptor R1000 Mobile Fall Protection cart is to be used as an anchorage point for a personal fall arrest system. The Raptor R1000 may be used where worker mobility and fall protection are required.
- 2.2 The Raptor R1000 is used as a part of a complete mobile fall protection system. Personal fall arrest systems typically include a full body harness, anchorage point, connectors, lifelines and lanyards. See WWW.OSHA.GOV for all regulations and standards.
- 2.3 When set up properly the Raptor R1000 allows two workers to be tied off for fall arrest (using the standard fall arrest tie-off rings) and an additional two workers tied-off for fall restraint if the optional *Fall Restraint Tie-Off Rings* have been installed. See the following definitions:

### DEFINITIONS:

- A. **Fall Restraint System** – A fall protection system that prevents the user from falling any distance. The system is comprised of a body harness along with an anchorage, connectors and other necessary equipment. The components typically include a lanyard and also may include a lifeline and other devices.
- B. **Personal Fall Arrest System** – This consists of an anchorage, connectors, and a body harness and may include a decelerated lifeline, or suitable combinations. If a Personal Fall Arrest System is used for fall protection it must meet the following requirements:
  - Limit maximum arresting force on an employee to 1,800 pounds when used with a body harness;
  - Be rigged so that an employee can neither free-fall more than 6 feet (1.8 meters) nor contact any lower level;
  - Bring an employee to a complete stop and limit maximum deceleration distance an employee travels to 3.5 feet (1.07 meters); and
  - Have sufficient strength to withstand twice the potential impact energy of an employee free-falling a distance of 6 feet (1.8 meters) or the free-fall distance permitted by the system, whichever is less.

**AES RECOMMENDS THE USE OF AN AUTO-RETRACTABLE LIFELINE WHEN USING A FALL PROTECTION DEVICE LIKE THE RAPTOR R1000.**

## 3.0 USE AND LIMITATIONS

### 3.1 USE ON LOW SLOPE SURFACES ONLY

#### 3.2 RECOMMENDED SURFACES INCLUDE:

1. Built-up Roofing (BUR) Membrane
2. Modified PVC Membranes
3. Thermoplastic Polyolefin (TPO) Membranes
4. EPDM Roofing Membranes
5. Ballasted EPDM Membrane
6. Modified Bitumen Membranes
7. Metal Deck (20 ga. And 22 ga. ONLY)
8. Dens Deck
9. Hardboard
10. Plywood
11. Lightweight Concrete
12. Gypsum Deck
13. Polyisocyanurate (ISO)
14. Expanded Polystyrene (EPS)
15. Flat Surfaces to .5:12 (the R1000 can be used on slopes .5:12 to 1:12 when using the optional braking system)

### 3.3 DO NOT USE THE RAPTOR R1000 SYSTEM ON THE FOLLOWING SURFACES:

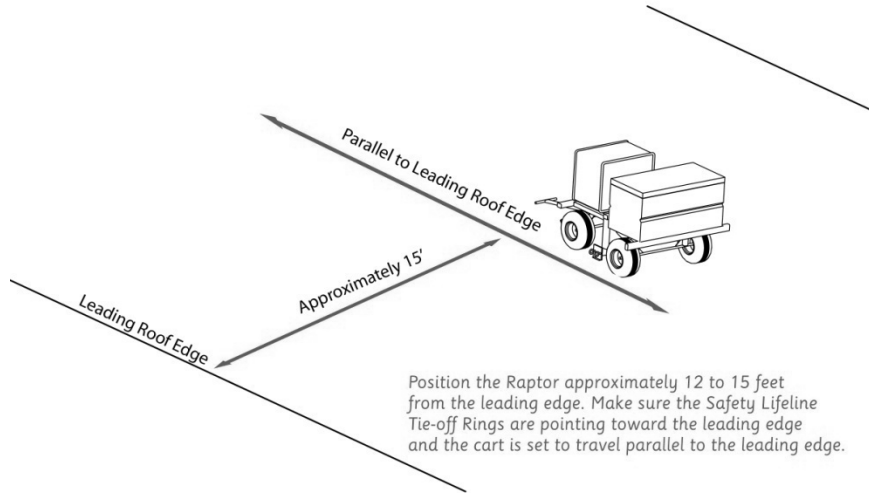
1. Tectum Deck
2. Metal Deck less than 22 ga. Or over 20 ga. (Structural Deck)
3. Loose laid material not part of a complete finished system.
4. Ice
5. Snow

**\*\* BEFORE A RAPTOR IS HOISTED TO ANY ROOF SURFACE \*\***

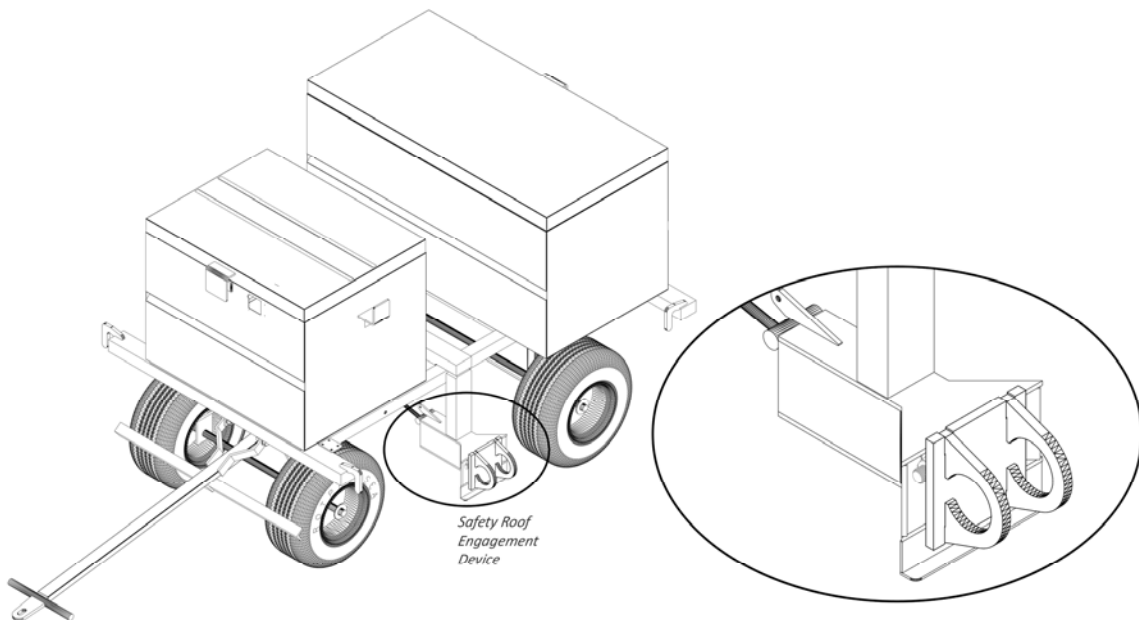
**THE CONTRACTOR MUST VERIFY THAT THE DECK ASSEMBLY CAN ACCOMMODATE THE LIVE LOAD REQUIREMENTS OF THE RAPTOR.**

# AES RAPTOR R1000™ INSTRUCTION MANUAL

- 3.4 CAPACITY: The Raptor R1000 Mobile Fall Protection System is designed for a maximum of two persons for fall arrest and two for fall restraint (when optional *Fall Restraint Tie-Off Rings* are installed) with a combined weight (clothing, tools) of no more than 310 lbs. per person. No more than four persons may be connected to the Raptor R1000 at any time.
- 3.5 POSITION: First, verify that the surface that the Raptor R1000 will be installed onto is capable of supporting the product and personnel using it. A complete assessment of the entire surrounding areas should be made to determine if the working surfaces have the strength and structural integrity to support users safely.
- A. Position the Raptor R1000 approximately 15 feet from the leading edge. Make sure the Safety Lifeline Tie-off Rings are pointing toward the leading edge and the cart is set to travel parallel to the leading edge. Refer to the Illustration Below:

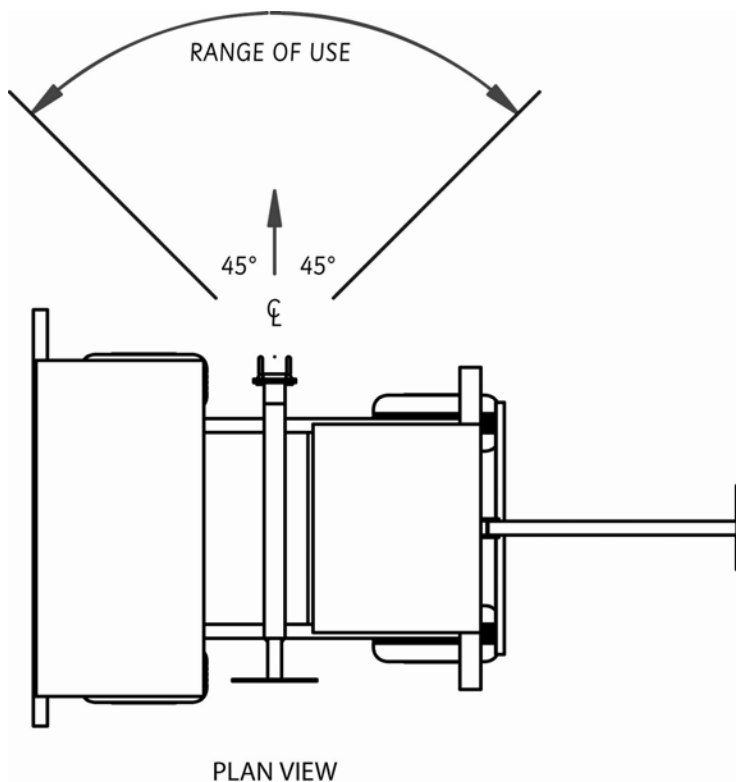


- B. Hook the Safety Lifelines to the Safety Lifeline Tie-off Rings. Refer to the Illustration below:



# AES RAPTOR R1000™ INSTRUCTION MANUAL

E  
N  
G  
L  
I  
S  
H



## 4.0 MAKING CONNECTIONS:

- 4.1 Only connect the Safety Tie-Off Plate to the Safety Engagement Arm using the provided safety cable. If the safety cable is broken, remove from service immediately and contact AES Raptor, LLC at 1-888-990-2990. If the safety cable is lost or stolen, contact AES Raptor, LLC at 1-888-990-2990.
- 4.2 DO NOT hook lifeline to designated hoisting hooks – lifeline should only be hooked to the Safety Lifeline Tie-off Rings.
- 4.3 When making connections, only use self-locking snap hooks and self-locking carabiners with this equipment. Only use connectors that are suitable to each application. Ensure all connections are compatible in size, shape and strength. Do not use equipment that is not compatible. Ensure that all connectors are fully closed and locked.

## 5.0 OPTIONAL FALL RESTRAINT TIE-OFF RINGS:

- 5.1 The Fall Restraint Tie-Off Rings can be installed on either side of the Safety Engagement Arm. Secure the Rings using a 1 1/8" socket and ratchet.
- 5.2 Tie-off configurations must be in a way that will not allow a person to fall over a leading edge.
- 5.3 Note: If other options such as the Raptor Alert or the Raptor Rescue System are installed on the R1000, it may restrict the use of the fall restraint anchors.

## 6.0 BEFORE EACH USE:

- 6.1 OSHA 1926.502 requires that before operating the system there must be an inspection for damaged equipment.

### INSPECTION STEPS

- STEP 1: Check for loose, bent or damaged parts.
- STEP 2: Check welded connections for distortion, cracks, or other damage.
- STEP 3: Check D-Rings for distortion or damage.

# AES RAPTOR R1000™ INSTRUCTION MANUAL

- STEP 4: Check cables for rusting and/or wear before each use – DO NOT use if cable and cable connections have been damaged.
- STEP 5: All labels must be present and fully legible. (Copies of all labels are attached at the back of this section for accurate inspection.)
- STEP 6: Check for corrosion on entire unit.
- STEP 7: Check Safety Cable Ring Attachment plate for freedom of movement.
- STEP 8: Check Engagement Arm for freedom of movement.

**DO NOT OPERATE DAMAGED EQUIPMENT. DO NOT OPERATE EQUIPMENT THAT HAS BEEN MODIFIED.**

(Please use the Inspection and Maintenance Log on page 10.)

## MAINTENANCE AND CARE:

- A. Inspect all AES Raptor equipment and parts before and after each use.
- B. Keep wheels free from roofing build up or debris. Asphalt or adhesive build up on the tires can cause the wheel brake to function improperly.
- B. Regularly inspect all bolts and pins. Damaged or missing pins can severely hinder the safety factor of the Raptor.
- C. Maintain paint finish to prevent corrosion.

## 7.0 GENERAL SAFETY

- 7.1 USE COMMON SENSE! Most accidents can be avoided by using common sense and concentrating on the job to be done.
- 7.2 The AES Raptor R1000 should not be used by persons whose ability or alertness is impaired by fatigue, intoxicating beverages, illegal or prescription drugs, or any other physical cause that exposes the user or others to injury.
- 7.3 Always wear proper safety attire.
- 7.4 Keep hands and feet clear of moving parts. DO NOT stick hands or fingers in the equipment when operating.
- 7.5 Do not operate the equipment near electrical power lines.
- 7.6 Maintain proper and even tire pressure on cart tires if equipped with pneumatic tires.
- 7.7 Do not allow passengers to ride on safety cart.
- 7.8 Allow handle to drop and set brake when not in use.
- 7.9 Ensure that the safety arm works properly. Make sure that all areas directly underneath, and in front of the cart, are clear and free of debris.
- 7.10 Do not use on icy roofs.
- 7.11 Only use the cart on a surface or roof composition for which it has been tested.
- 7.12 Do not set cart atop unfastened materials. Materials may slide if not mechanically attached to the roof.

## 8.0 GENERATOR SAFETY:

- 8.1 Never let extension cords or the plug connection lay in water. Locate the equipment such that it cannot fall into water.

# AES RAPTOR R1000™ INSTRUCTION MANUAL

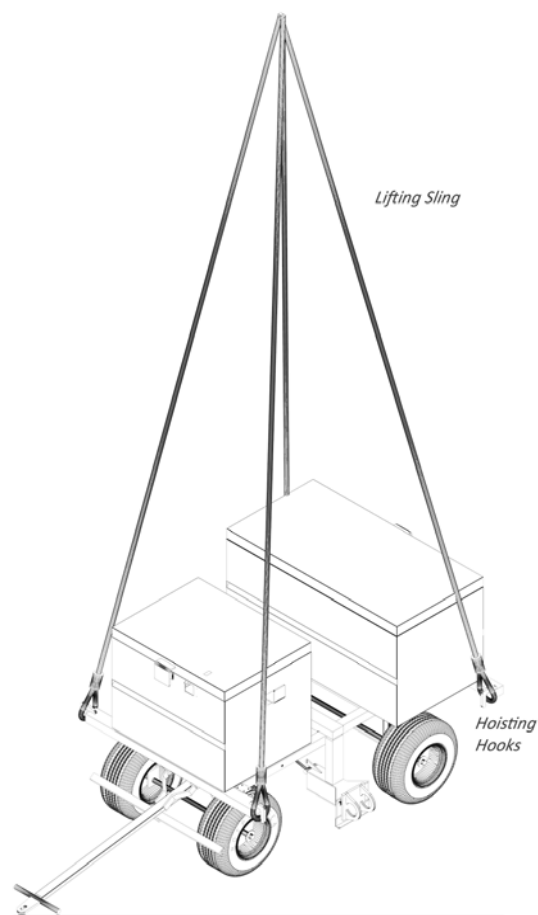
- 8.2 Never use cords with frayed, cut or brittle insulation. Check the cord on the motor for nicks in the insulation and for sound connections to the ground fault interrupter plug and motor.
- 8.3 Operate in well ventilated areas only.
- 8.4 Do not breathe exhaust fumes when working in the area of the engine. (Exhaust gasses are odorless and can be fatal.)
- 8.5 Keep the exhaust system components tight and in good working condition.
- 8.6 Exhaust system parts get very hot and stay hot for some time after shutting the engine off – Do Not Touch.
- 8.7 Never add fuel to the tank while the engine is running. Stop engine and allow it to cool. Avoid spilling fuel.
- 8.8 Do not refuel near open flame; wipe up spilled fuel.
- 8.9 Never remove factory-installed equipment from the cart. If any equipment is removed then the cart is deemed useless for fall protection.
- 8.10 When applicable: Always refer to Generator/Air Compressor User Manuals for use and safety directions.

## 9.0 HOISTING:

### **\*WARNING\***

- 9.1 Loads may slip or fall if proper Hoist Hook Assembly and lifting procedures are not used.
- 9.2 A falling load may cause serious injury or death.
- 9.3 Do not use with damaged slings or chain. For inspection criteria see ASME B30.9.
- 9.4 Utilize appropriate Rigging Gear suitable for overhead lifting.
- 9.5 Utilize Rigging Gear within the industry standards and the manufacturer's recommendations.
- 9.6 Conduct regular inspection and maintenance of the Rigging Gear.
- 9.7 **DO NOT hook lifeline to designated hoisting hooks.**
- 9.8 The Raptor R1000 was designed to be hoisted by a crane with the use of a four-leg wire rope sling or bridle chain sling. Refer to the illustration on the following page for proper hoisting procedures.

## HOISTING DIAGRAM



# AES RAPTOR R1000™ INSTRUCTION MANUAL

## WARNING LABELS

Upon each inspection please use this page to verify that all six Warning Labels are present and fully legible.



(One is to be located by each Hoisting Hook for a total of four)

<b>WARNING:</b>	<b>ADVERTENCIA:</b>	<b>AVERTISSEMENT</b>
<p>This product is not designed for storing or transporting flammables, explosives, hazardous wastes or hazardous materials such as containers of solvents, gun powder, dynamite, gasoline, propane or acetylene tanks, etc.</p> <p>Any modification to or unintended use of this product could create a danger of an explosion or other hazardous condition that can result in death, serious injury or property damage.</p>	<p>Este producto no está diseñado para almacenar ni transportar materiales inflamables, explosivos, desperdicios o materiales peligrosos como contenedores de solventes, pólvora, dinamita, gasolina, tanques de propano o de acetileno, etc.</p> <p>Cualquier modificación que se haga a este producto o cualquier uso que se haga del mismo, que no sea el uso para el que se diseñó, podría crear un peligro de explosión u otra condición peligrosa que puede tener como resultado la muerte, las lesiones graves o los daños a la propiedad.</p>	<p>Ce produit n'est pas conçu pour stocker ou transporter des produits inflammables, des explosives, des déchets dangereux ou des matières dangereuses telles que des bidons de solvant, de la poudre explosive, de la dynamite, de l'essence, des réservoirs de propane ou d'acétylène, etc.</p> <p>Toute modification ou utilisation non prévue de ce produit peut créer un danger d'explosion et d'autres conditions dangereuses, pouvant entraîner la mort, des blessures graves ou des dommages matériels.</p>


(Located inside job box)

<p> <b>WARNING:</b> TO PREVENT BODILY INJURY</p> <p><b>OWNERS AND OPERATORS OF THIS EQUIPMENT SHOULD, PRIOR TO USING:</b></p> <p>Read the instruction manual. Read all warning labels. Know and comply with all OSHA, state and local regulations concerning roofing.</p>	<p><b>OWNER</b></p> <p>All employees should be instructed in the proper use of this equipment prior to use. If the employee cannot read or understand English, please provide a translator. This equipment should not be sold to, traded, or given to any other company or individual without instructing them in its proper use and without providing them with all instructions and warning labels.</p>
<p> <b>ADVERTENCIA:</b> PARA PREVENIR LAS LESIONES CORPORALES</p> <p><b>LOS DUEÑOS Y LOS OPERADORES DE ESTE EQUIPO DEBEN, ANTES DE UTILIZARLO:</b></p> <p>Leer el manual de instrucciones. Leer todos los rótulos de advertencia. Saber y cumplir todos los reglamentos de OSHA, así como los reglamentos locales y estatales relacionados con el techado</p>	<p><b>DUENO</b></p> <p>Todos los empleados deben recibir instrucción sobre el uso apropiado de este equipo antes de utilizarlo. Si el empleado no puede leer o entender inglés, por favor, proporcione un traductor. Este equipo no se debe vender, comerciar ni entregar a ninguna otra compañía o persona sin instruirle en el uso apropiado o sin proporcionarle todas las instrucciones y los rótulos de advertencia.</p>
<p> <b>AVERTISSEMENT:</b> POUR EVITER LES BLESSURES</p> <p><b>LES PROPRIÉTAIRES ET OPÉRATEURS DE CET ÉQUIPEMENT DOIVENT EFFECTUER LES ACTIONS SUIVANTES AVANT D'UTILISER LE PRODUIT:</b></p> <p>Lire le manuel d'instructions. Lire toutes les étiquettes d'avertissement. Connaitre et respecter toutes les norms OSHA et les règlements locaux et provinciaux concernant les travaux de toiture</p>	<p><b>PROPRIÉTAIRE</b></p> <p>Tous le employés doivent être formés à l'utilisation appropriée de cet équipement avant de l'utiliser. Si l'employé ne peut pas lire ou comprendre l'français, un traducteur doit être fourni. Cet équipement ne doit pas être vendu, échangé, ni donné à une autre société ou à une autre personne sans les avoir préalablement formées à son utilisation correcte et sans leur avoir procuré toutes les instructions et étiquettes d'avertissement.</p>

(Located on back of the job box)

# AES RAPTOR R1000™ INSTRUCTION MANUAL

ENGLISH

	<b>CAUTION</b>	<b>PRECAUCIÓN</b>	<b>PRUDENCE</b>
	<b>PINCH POINT</b> KEEP FEET CLEAR	<b>PUNTO DE AGARRE</b> MANTENGA LOS PIES A UNA DISTANCIA SEGURA	<b>POINT DE PINCEMENT</b> ÉLOIGNER LES PIEDS

(Located on the guard)

	<b>CAUTION</b>	<b>PRECAUCIÓN</b>	<b>PRUDENCE</b>
	<b>PINCH POINT</b>	<b>PUNTO DE AGARRE</b>	<b>POINT DE PINCEMENT</b>

(Located below the Job Box handle)

<b>WORK</b>		<b>ZONE</b>
<b>ZONA DE TRABAJO</b> <b>ZONE DE TRAVAUX</b>		
		

(located above the safety lifeline tie-off ring plate)

# AES RAPTOR R1000™ INSTRUCTION MANUAL



E  
N  
G  
L  
I  
S  
H

## Raptor Inspection and Maintenance Log

PLEASE COPY THIS LOG, FILL IT OUT BEFORE EACH USE, AND KEEP IT IN YOUR RECORDS.

RAPTOR SERIAL #:			
RAPTOR MODEL #:			
DATE PURCHASED:			
INSPECTION DATE:			
<b>Inspection Item Noted:</b>	<b>Corrective Action Needed?</b>		<b>Maintenance Performed:</b>
	Yes	No	
<b>Overall Cart Parts</b>			
Approved By:			
<b>Welded Connection</b>	Yes	No	
Approved By:			
<b>Safety Lifeline Tie-off Rings and Hoisting D-Rings</b>	Yes	No	
Approved By:			
<b>Cables</b>	Yes	No	
Approved By:			
<b>Labels</b>	Yes	No	
Approved By:			
<b>Overall Cart Corrosion</b>	Yes	No	
Approved By:			

# **AES RAPTOR R1000™ MANUAL DE INSTRUCCIÓN**

**AES Raptor, LLC - Raptor R1000™ Manual de Instrucción**

Publicado por AES Raptor, LLC, North Kansas City, MO

**E  
S  
P  
A  
Ñ  
O  
L**

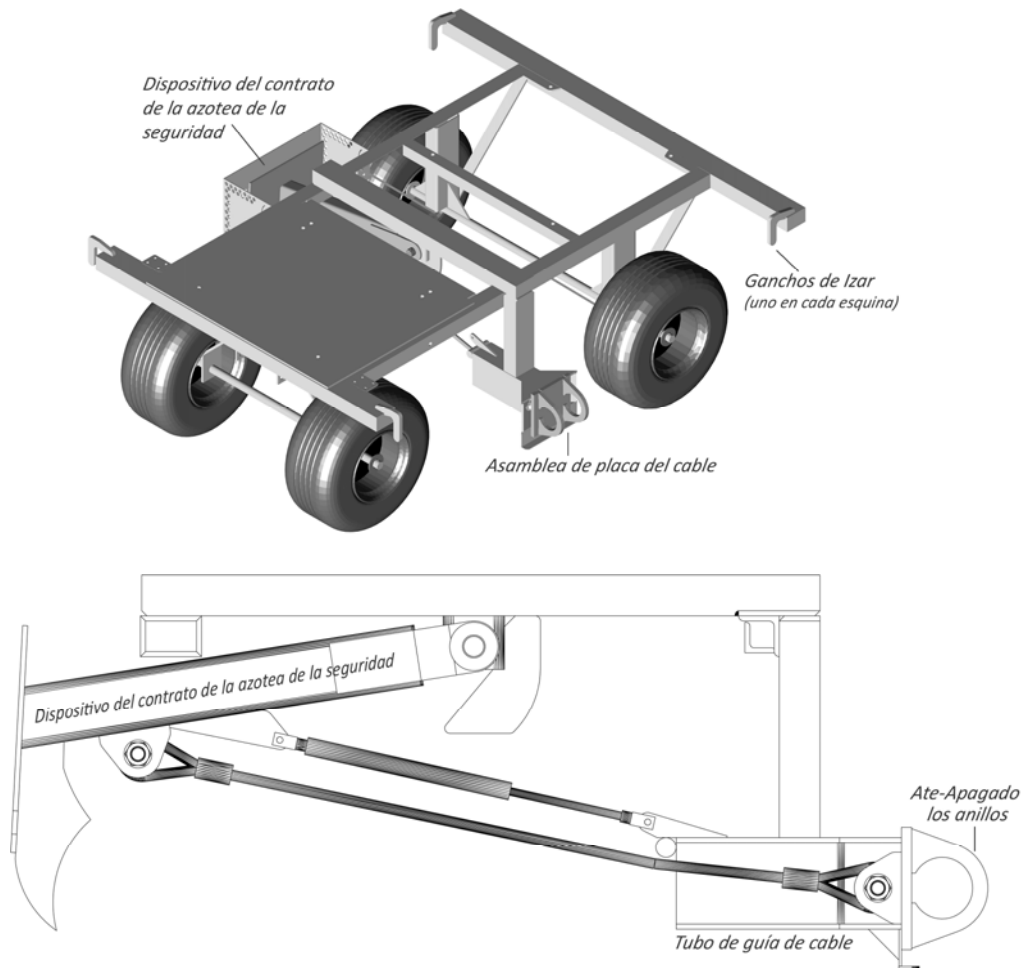
SISTEMA MÓVIL COMPLETO DE PROTECCIÓN CONTRA CAÍDAS AES RAPTOR  
es una marca registrada de  
Architectural Exterior Services CORPORATION MISSOURI  
1349 Taney  
North Kansas City MISSOURI 64116  
[www.raptorsafety.com](http://www.raptorsafety.com)

Copyright © 2009 de AES Raptor, LLC

IMPRESO EN LOS ESTADOS UNIDOS DE NORTEAMÉRICA

# AES RAPTOR R1000™ MANUAL DE INSTRUCCIÓN

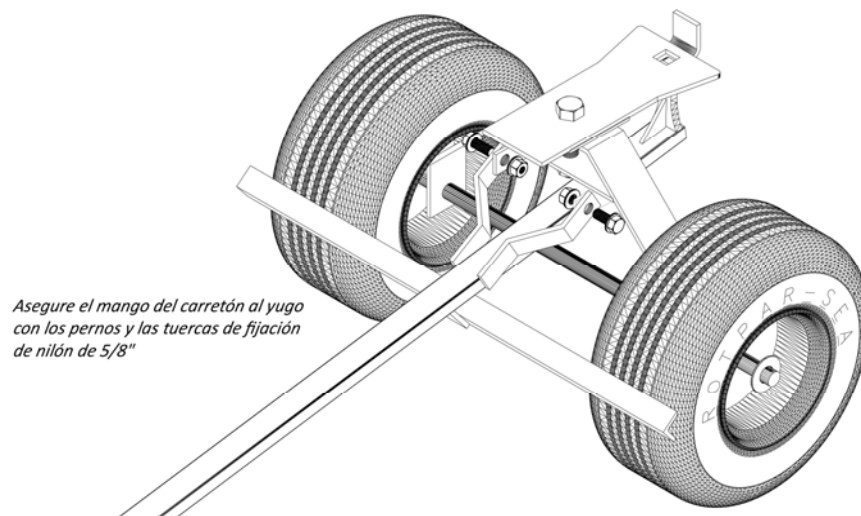
## DIAGRAMA DE PIEZAS



## Diseño en Espera de la Patente

### 1.0 ENSAMBLADO

Después de sacar el Raptor del empaque, asegure el mango del carretón al yugo con los pernos de 5/8 x 2" y las tuercas de fijación de nilón de 5/8". Refiérase a la ilustración que se muestra abajo:



# AES RAPTOR R1000™ MANUAL DE INSTRUCCIÓN

## 2.0 USOS

- 2.1 Los Sistemas Móviles de Protección contra Caídas de AES Raptor se deben utilizar para fijar los puntos de anclaje de los sistemas individuales de detención de caídas. El AES Raptor se puede utilizar en los trabajos en los que se requiera que los obreros tengan movilidad y protección contra las caídas.
- 2.2 El AES Raptor se utiliza como parte de un sistema móvil de protección completa contra las caídas. Los sistemas individuales de detención de caídas, por lo general, incluyen un arnés corporal completo, un punto de anclaje, varios conectores y cordones de seguridad.
- 2.3 Cuando se encuentra correctamente instalado, el Raptor R1000 permite atar a dos trabajadores para la detención de la caída (utilizando los aros de amarre para detención de caídas) y dos trabajadores más atados para una restricción de caída si los *aros opcionales de amarre de restricción de caída* se han instalado. Vea las definiciones siguientes:

### DEFINICIONES:

- A. **Sistema de Prevención de Caídas** – Un sistema de protección contra las caídas que previene que el usuario caiga desde cualquier altura. El sistema está compuesto por un arnés corporal, así como por un ancla, varios conectores y otro equipo necesario. Dichos componentes, por lo general, incluyen un cordón de seguridad y pueden incluir una cuerda salvavidas y otros dispositivos.
- B. **Sistema individual de Detención de Caídas** – Este sistema consta de un ancla, varios conectores y un arnés corporal y puede incluir una cuerda salvavidas para desacelerar las caídas o alguna combinación apropiada. Si se utiliza un sistema individual de prevención de caídas con el propósito de prevenir caídas, el mismo tiene que cumplir los siguientes requisitos:
  - Limitar la fuerza máxima de detención de la caída de un empleado a 1,800 libras cuando se use con un arnés corporal;
  - Estar instalado de manera que el empleado no pueda caer libremente más de 6 pies (1.8 metros) ni golpearse contra un nivel inferior;
  - Detener completamente al empleado y limitar la distancia máxima de desaceleración que recorre un empleado a 3.5 pies (1.07 metros) y
  - Tener la fuerza suficiente como para soportar el doble de la posible fuerza de impacto de un empleado que caiga libremente desde una altura de 6 pies (1.8 metros) o la distancia de caída libre permitida por el sistema, cualquiera que sea la fuerza menor.

**AES RECOMIENDA UTILIZAR UN CABLE SALVAVIDAS AUTORETRACTABLE CUANDO SE UTILICE EL AES RAPTOR  
COMO UN DISPOSITIVO DE PROTECCIÓN CONTRA CAÍDAS.**

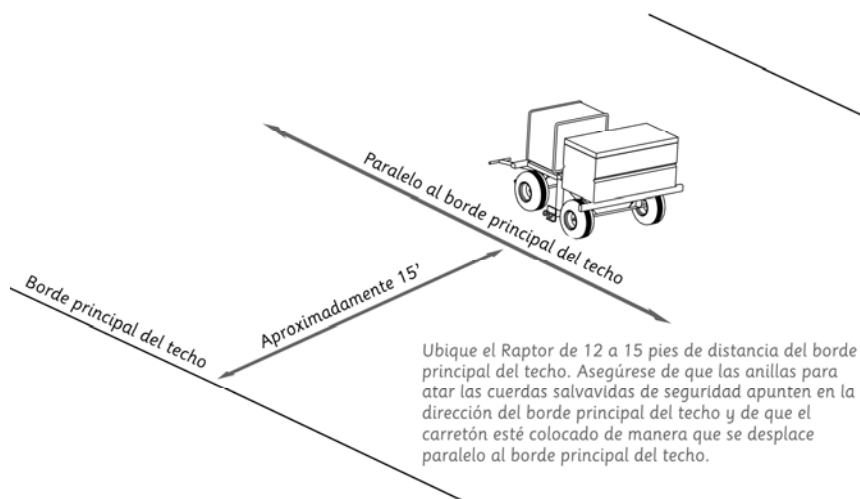
## 3.0 USO Y LIMITACIONES

- 3.1 **UTILÍCESE SÓLO EN SUPERFICIES PLANAS**
- 3.2 **LAS SUPERFICIES RECOMENDADAS INCLUYEN:**
  1. Membrana para techo reforzado (BUR, por sus siglas en inglés)
  2. Membranas de PVC modificadas
  3. Membranas de poliolefina termoplástica (TPO, por sus siglas en inglés)
  4. Membranas para techo EPDM
  5. Membrana EPDM lastrada
  6. Membranas de betumen modificadas
  7. Cubierta de metal (SOLAMENTE de 20 ga. y 22 ga.)
  8. Cubierta
  9. Cartón
  10. Contrachapado
  11. Concreto liviano
  12. Bandeja de yeso
  13. Polisocianurato (ISO)
  14. Poliestireno expandido (EPS)
  15. Superficies planas a 5:12 (el R1000 puede utilizarse en pendientes 5:12 a 1:12 cuando se utiliza el sistema opcional de freno)
- 3.3 **NO UTILICE LOS SISTEMAS RAPTOR EN LAS SIGUIENTES SUPERFICIES:**
  1. Tectum Deck
  2. Bandeja de metal menor a 22 ga. O superior a 20 ga. (bandeja estructural)
  3. Material suelto que no sea parte del sistema de acabado completo.
  4. Hielo
  5. Nieve

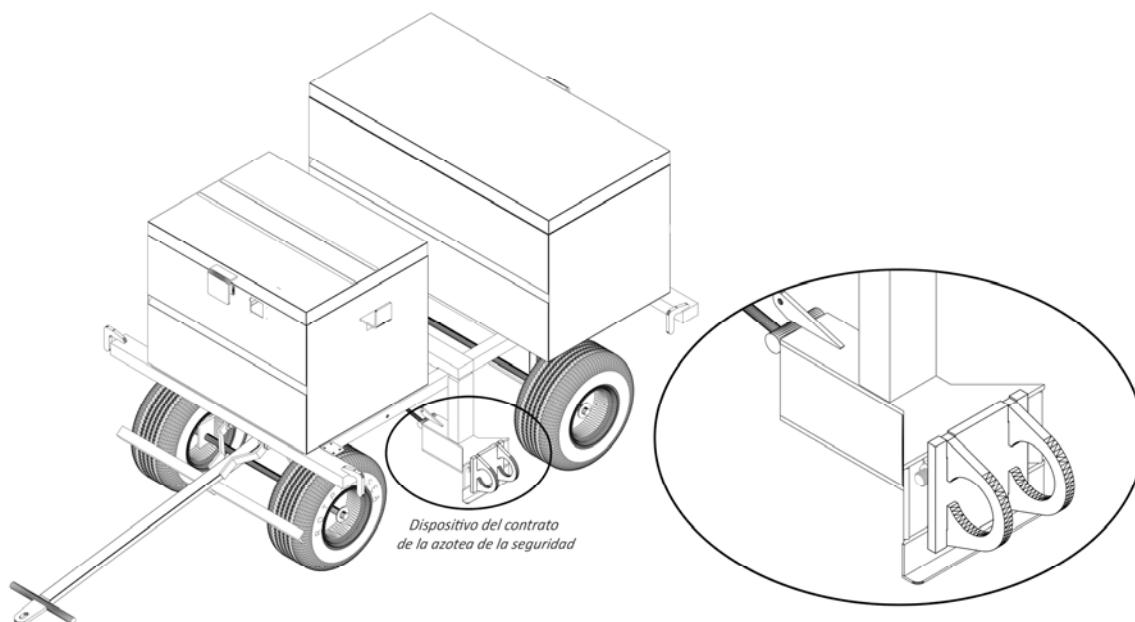
# AES RAPTOR R1000™ MANUAL DE INSTRUCCIÓN

**\*\*ANTES DE ELEAR UN SISTEMA RAPTOR HASTA LA SUPERFICIE DE ALGÚN TECHO\*\*  
EL CONTRATISTA DEBE VERIFICAR QUE EL ARMADO DE LA CUBIERTA SOPORTE  
LOS REQUERIMIENTOS DE PESO VIVO DEL RAPTOR.**

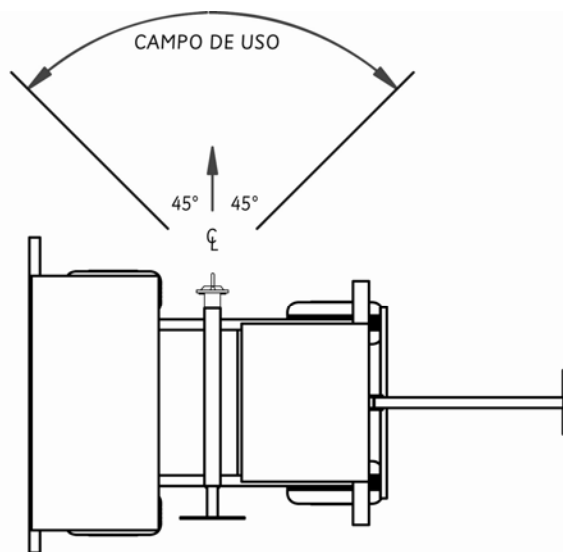
- 3.4 CAPACIDAD: El sistema de protección móvil de la caída de Raptor R1000 se diseña para un máximo de dos personas para la detención de la caída y dos para la restricción de la caída (cuando se encuentran instalados los aros de amarre de restricción de la caída) con un peso combinado (ropa, herramientas) no más que 310lbs. por persona. No más de cuatro personas pueden ser conectadas al Raptor R1000 en cualquier momento.
- 3.5 UBICACIÓN: Primero, cerciórese de que la superficie sobre la que se instalará el AES Raptor tiene la capacidad de sostener el producto y el personal que lo utilizará. Se debe realizar una evaluación completa de los alrededores para determinar si las superficies sobre las cuales se trabajará tienen la fuerza y la integridad estructural para sostener a los obreros con seguridad.
- A. Ubique el Raptor de 12 a 15 pies de distancia del borde principal del techo. Asegúrese de que las anillas para atar las cuerdas salvavidas de seguridad apunten en la dirección del borde principal del techo y de que el carretón esté colocado de manera que se desplace paralelo al borde principal del techo. Refiérase a la ilustración que se muestra abajo:



- B. Enganche las cuerdas salvavidas a las anillas para atar las cuerdas salvavidas de seguridad. Refiérase a la ilustración que se muestra abajo:



# AES RAPTOR R1000™ MANUAL DE INSTRUCCIÓN



VISTA DEL PLANO

## 4.0 HACER LAS CONEXIONES:

- 4.1 Únicamente conecte la placa del cable de seguridad al brazo de acoplamiento de seguridad utilizando el cable de seguridad provisto. Si el cable de seguridad se rompe, retírelo de servicio inmediatamente y comuníquese con AES Raptor, LLC al 1-888-990-2990. Si el cable de seguridad se pierde o lo roban, comuníquese con AES Raptor, LLC al 1-888-990-2990.
- 4.2 NO enganche la cuerda salvavidas de seguridad en las anillas designadas para izar; la cuerda salvavidas sólo se debe enganchar en las anillas para atar las cuerdas salvavidas.
- 4.3 Al hacer las conexiones, únicamente utilice ganchos con broche de cierre automático y mosquetones de cierre automático con este equipo. Utilice únicamente los conectores que sean apropiados para cada uso del equipo. Asegúrese de que todas las conexiones sean compatibles en términos de tamaño, forma y fuerza. No utilice equipos que no sean compatibles. Cérchese de que todos los conectores estén completamente cerrados y bien asegurados.

## 5.0 AROS OPCIONALES DE AMARRE PARA LA RESTRICCIÓN DE CAÍDAS:

- 5.1 Los aros de amarre para la restricción de caídas se pueden instalar en cualquiera de los lados del Brazo de acoplamiento de seguridad. Asegure los aros utilizando un conector y un trinquete.
- 5.2 Las configuraciones de amarre deben estar diseñadas de modo tal que no permitan que una persona se caiga por sobre alguno de los bordes principales.
- 5.3 Nota: Si se instalan otras opciones tales como el Raptor Alert o el Raptor Rescue System en el R1000, podría restringir el uso de las anclas de restricción de caídas.

## 6.0 ANTES DE CADA USO:

- 6.1 El reglamento OSHA 1926.502 exige que, antes de utilizar el sistema, se tiene que realizar una inspección de daños al equipo.

### PASOS DE LA INSPECCIÓN

- PASO 1: Verifique la existencia de piezas sueltas, dobladas o dañadas.
- PASO 2: Verifique las conexiones soldadas en busca de distorsión, grietas u otros daños.
- PASO 3: Verifique los aros D en busca de distorsión o daños.
- PASO 4: Verifique los cables en busca de oxidación o desgaste antes de cada uso. NO utilice si el cable y las conexiones del cable se han dañado.

# AES RAPTOR R1000™ MANUAL DE INSTRUCCIÓN

PASO 5: Todas las etiquetas deben estar presentes y totalmente legibles. (Copias de las etiquetas se adjuntan en la parte trasera de la sección para una inspección exacta.)

PASO 6: Verifique la existencia de corrosión en toda la unidad.

PASO 7: Verifique la placa accesoria del aro del cable de seguridad para controlar la libertad de movimiento.

PASO 8: Verifique el brazo de acoplamiento para controlar la libertad de movimiento.

## **NO UTILICE EL EQUIPO SI TIENE DAÑOS. NO UTILICE EL EQUIPO SI SE LE HAN HECHO MODIFICACIONES.**

(Por favor, utilice el registro de inspección y mantenimiento que se incluye en la página 20.)

### **CUIDADO Y MANTENIMIENTO:**

- A. Inspeccione todo el equipo y las piezas del AES Raptor antes y después de cada uso.
- B. Mantenga las ruedas libres de acumulación de materiales de techado y de escombros. El asfalto o los restos de adhesivo en las gomas pueden causar que el freno de la rueda no funcione bien.
- C. Inspeccione regularmente todos los pernos y los pasadores. Los pasadores dañados o la falta de pasadores pueden disminuir significativamente el factor de seguridad del Raptor.
- D. Mantenga el acabado de la pintura en buenas condiciones para prevenir la corrosión.

### **7.0 SEGURIDAD GENERAL:**

- 7.1 ¡EJERZA SENTIDO COMÚN! La mayoría de los accidentes se pueden prevenir ejerciendo el sentido común y concentrándose en la labor que realiza.
- 7.2 El AES Raptor no debe ser utilizado por las personas cuya habilidad o cuyo estado de alerta esté afectado por la fatiga, las bebidas intoxicantes, las sustancias ilegales o los medicamentos recetados o por cualquier otra causa física que exponga al usuario o a las demás personas a una lesión.
- 7.3 Utilice siempre una vestimenta de seguridad apropiada.
- 7.4 Mantenga las manos y los pies alejados de las piezas que se mueven. NO meta las manos ni los dedos en el equipo cuando esté en funcionamiento.
- 7.5 No opere el equipo cerca de líneas de tendido eléctrico.
- 7.6 Mantenga una presión apropiada y equilibrada en las gomas del carretón.
- 7.7 No permita que se transporten pasajeros en el carretón de seguridad.
- 7.8 Deje que el mango caiga al suelo y ponga el freno cuando no se utilice el equipo.
- 7.9 Cerciórese de que el brazo de seguridad funciona como es debido; asegúrese de que todas las áreas debajo y directamente al frente del carretón están despejadas y libres de escombros.
- 7.10 No utilice el equipo en techos congelados.
- 7.11 Utilice el carretón sólo sobre las superficies o las composiciones de techos en las cuales se ha probado.
- 7.12 No coloque el carretón encima de materiales que no estén amarrados. Los materiales se pueden deslizar si no están asegurados al techo por medios mecánicos.

### **8.0 SEGURIDAD DEL GENERADOR:**

- 8.1 Nunca permita que los cordones de las extensiones eléctricas o la conexión del enchufe pasen sobre lugares donde haya agua. Coloque el equipo de manera que no pueda entrar en contacto con el agua.

# AES RAPTOR R1000™ MANUAL DE INSTRUCCIÓN

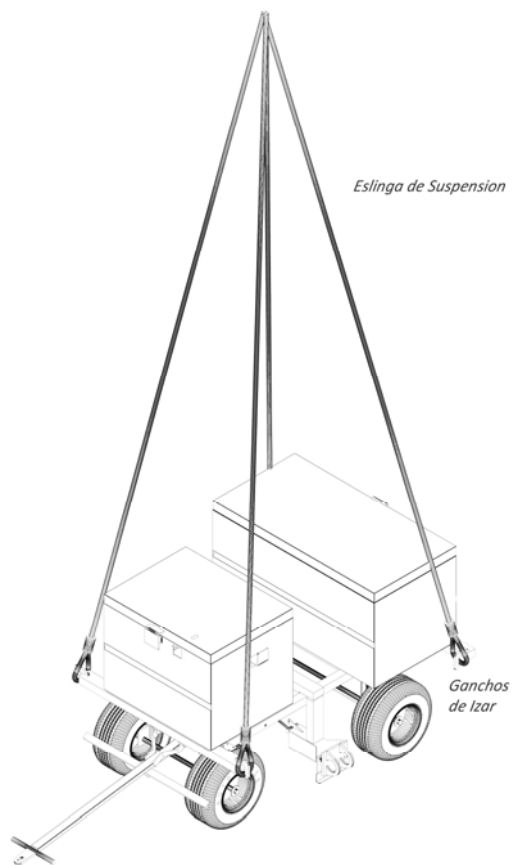
- 8.2 Nunca utilice cordones eléctricos cuyo material aislante esté raído, cortado o quebradizo. Asegúrese de que el cordón del motor no tenga muescas en el material aislante y asegúrese de que las conexiones del enchufe del interruptor de corriente de falla de tierra y del motor estén en buenas condiciones.
- 8.3 Opere el equipo en áreas con buena ventilación únicamente.
- 8.4 No respire los gases de escape cuando trabaje en el área del motor. (Los gases de escape no tienen olor y pueden ser mortales).
- 8.5 Mantenga los componentes del sistema de extracción bien ajustados y en buenas condiciones.
- 8.6 Las piezas del sistema de extracción se calientan mucho y se mantienen calientes durante cierto tiempo después de apagar el motor. **NO LAS TOQUE.**
- 8.7 Nunca le eche gasolina al tanque mientras el motor esté encendido. Apague el motor y deje que se enfríe. No deje que se derrame la gasolina.
- 8.8 No llene el tanque cerca de una llama; limpie la gasolina que se derrame.
- 8.9 Nunca retire del carretón el equipo que haya sido instalado en la fábrica. Si retira cualquier componente, el carretón ya no se considerará útil para brindar protección contra caídas.
- 8.10 Cuando corresponda: Refiérase a los manuales para el usuario del generador o el compresor de aire para saber cómo usarlos y leer las instrucciones de seguridad.

## \*ADVERTENCIA\*

### 9.0 IZAR EL EQUIPO:

- 9.1 Las cargas pueden deslizarse o caerse si no se siguen los procedimientos apropiados del ensamblado de la anilla para izar y suspender.
- 9.2 Una carga que se caiga puede causar lesiones graves o la muerte.
- 9.3 No utilice eslingas o cadenas que tengan algún tipo de daño. Para conocer los criterios de inspección, lea ASME B30.9.
- 9.4 Utilice el equipo de aparejo de cargas apropiado para la maniobras de elevación.
- 9.5 Utilice el equipo de aparejo de cargas que cumpla los estándares de la industria y las recomendaciones del fabricante.
- 9.6 Realice labores de inspección y mantenimiento del equipo de aparejo de cargas regularmente.
- 9.7 **NO enganche la cuerda salvavidas de seguridad en las anillas designadas para izar.**
- 9.8 El Raptor está diseñado para ser levantado por una grúa con el uso de una eslinga de cable de acero con 4 patas o una eslinga de brida. Refiérase a la ilustración que se muestra en la próxima página para ver los procedimientos apropiados para izar el equipo.

### DIAGRAMA DE SUSPENSIÓN



# AES RAPTOR R1000™ MANUAL DE INSTRUCCIÓN

## RÓTULOS DE ADVERTENCIA

Al realizar cada inspección, por favor, utilice esta página para verificar que los 6 tipos de rótulos de advertencia estén incluidos y sean completamente legible.



(Ubicados 1 al lado de cada anilla para izar, lo cual da un total de 4)

<b>WARNING:</b>	<b>ADVERTENCIA:</b>	<b>AVERTISSEMENT</b>
<p>This product is not designed for storing or transporting flammables, explosives, hazardous wastes or hazardous materials such as containers of solvents, gun powder, dynamite, gasoline, propane or acetylene tanks, etc.</p> <p>Any modification to or unintended use of this product could create a danger of an explosion or other hazardous condition that can result in death, serious injury or property damage.</p>	<p>Este producto no está diseñado para almacenar ni transportar materiales inflamables, explosivos, desperdicios o materiales peligrosos como contenedores de solventes, pólvora, dinamita, gasolina, tanques de propano o de acetileno, etc.</p> <p>Cualquier modificación que se haga a este producto o cualquier uso que se haga del mismo, que no sea el uso para el que se diseñó, podría crear un peligro de explosión u otra condición peligrosa que puede tener como resultado la muerte, las lesiones graves o los daños a la propiedad.</p>	<p>Ce produit n'est pas conçu pour stocker ou transporter des produits inflammables, des explosives, des déchets dangereux ou des matières dangereuses telles que des bidons de solvant, de la poudre explosive, de la dynamite, de l'essence, des réservoirs de propane ou d'acétylène, etc.</p> <p>Toute modification ou utilisation non prévue de ce produit peut créer un danger d'explosion et d'autres conditions dangereuses, pouvant entraîner la mort, des blessures graves ou des dommages matériels.</p>


(Ubicado el la parte interior de la caja de trabajo)

<p> <b>WARNING:</b> TO PREVENT BODILY INJURY</p> <p><b>OWNERS AND OPERATORS OF THIS EQUIPMENT SHOULD, PRIOR TO USING:</b></p> <p>Read the instruction manual. Read all warning labels. Know and comply with all OSHA, state and local regulations concerning roofing.</p>	<p><b>OWNER</b></p> <p>All employees should be instructed in the proper use of this equipment prior to use. If the employee cannot read or understand English, please provide a translator. This equipment should not be sold to, traded, or given to any other company or individual without instructing them in its proper use and without providing them with all instructions and warning labels.</p>
<p> <b>ADVERTENCIA:</b> PARA PREVENIR LAS LESIONES CORPORALES</p> <p><b>LOS DUEÑOS Y LOS OPERADORES DE ESTE EQUIPO DEBEN, ANTES DE UTILIZARLO:</b></p> <p>Leer el manual de instrucciones. Leer todos los rótulos de advertencia. Saber y cumplir todos los reglamentos de OSHA, así como los reglamentos locales y estatales relacionados con el techado</p>	<p><b>DUENO</b></p> <p>Todos los empleados deben recibir instrucción sobre el uso apropiado de este equipo antes de utilizarlo. Si el empleado no puede leer o entender inglés, por favor, proporcione un traductor. Este equipo no se debe vender, comerciar ni entregar a ninguna otra compañía o persona sin instruirle en el uso apropiado o sin proporcionarle todas las instrucciones y los rótulos de advertencia.</p>
<p> <b>AVERTISSEMENT:</b> POUR EVITER LES BLESSURES</p> <p><b>LES PROPRIÉTAIRES ET OPÉRATEURS DE CET ÉQUIPEMENT DOIVENT EFFECTUER LES ACTIONS SUIVANTES AVANT D'UTILISER LE PRODUIT:</b></p> <p>Lire le manuel d'instructions. Lire toutes les étiquettes d'avertissement. Connaitre et respecter toutes les normes OSHA et les règlements locaux et provinciaux concernant les travaux de toiture</p>	<p><b>PROPRIÉTAIRE</b></p> <p>Tous les employés doivent être formés à l'utilisation appropriée de cet équipement avant de l'utiliser. Si l'employé ne peut pas lire ou comprendre l'français, un traducteur doit être fourni. Cet équipement ne doit pas être vendu, échangé, ni donné à une autre société ou à une autre personne sans les avoir préalablement formées à son utilisation correcte et sans leur avoir procuré toutes les instructions et étiquettes d'avertissement.</p>

(Ubicado el la parte trasera de la caja de trabajo)

# AES RAPTOR R1000™ MANUAL DE INSTRUCCIÓN

E  
S  
P  
A  
Ñ  
O  
L

	<b>CAUTION</b>	<b>PRECAUCIÓN</b>	<b>PRUDENCE</b>
	<b>PINCH POINT</b> KEEP FEET CLEAR	<b>PUNTO DE AGARRE</b> MANTENGA LOS PIES A UNA DISTANCIA SEGURA	<b>POINT DE PINCEMENT</b> ÉLOIGNER LES PIEDS

(Ubicado el la parte trasera de la caja de trabajo)

	<b>CAUTION</b>	<b>PRECAUCIÓN</b>	<b>PRUDENCE</b>
	<b>PINCH POINT</b>	<b>PUNTO DE AGARRE</b>	<b>POINT DE PINCEMENT</b>

(Ubicado el la parte trasera de la caja de trabajo)

**WORK ZONE**



**ZONA DE TRABAJO**  
**ZONE DE TRAVAUX**



(Localizado sobre la cuerda de salvamento de la seguridad ate-apagado la placa del anillo)

# AES RAPTOR R1000™ MANUAL DE INSTRUCCIÓN



## Registro de Inspección y Mantenimiento del Raptor

POR FAVOR, HAGA UNA COPIA DE ESTE REGISTRO, LLÉNELO ANTES DE CADA USO Y GUÁRDELO EN SUS ARCHIVOS.

N.O DE SERIE DEL RAPTOR			
N.O DE MODELO DEL RAPTOR			
FECHA DE COMPRA			
Fecha de inspección:			
Artículo examinado en la inspección:	¿Necesitó acción correctiva?		Mantenimiento Ofrecido:
<b>Piezas del Carretón en General</b>	Sí	No	
Aprobado por:			
<b>Conexión Soldada</b>	Sí	No	
Aprobado por:			
<b>Anillas para atar las cuerdas salvavidas y anillas en D para izar</b>	Sí	No	
Aprobado por:			
<b>Cables</b>	Sí	No	
Aprobado por:			
<b>Rótulos de Advertencia</b>	Sí	No	
Aprobado por:			
<b>Corrosión del Carretón en General</b>	Sí	No	
Aprobado por:			

E  
S  
P  
A  
Ñ  
O  
L

# MANUEL D'INSTRUCTIONS DU SYSTÈME AES RAPTOR R1000™

AES Raptor, LLC - Manuel d'instructions du système AES RAPTOR R1000™

Publié par AES Raptor, LLC, North Kansas City, Missouri

Le SYSTÈME DE PROTECTION ANTICHUTE MOBILE INTÉGRAL AES RAPTOR  
est une marque déposée de  
Architectural Exterior Services CORPORATION MISSOURI  
1349 Taney  
North Kansas City MISSOURI 64116  
[www.raptorsafety.com](http://www.raptorsafety.com)

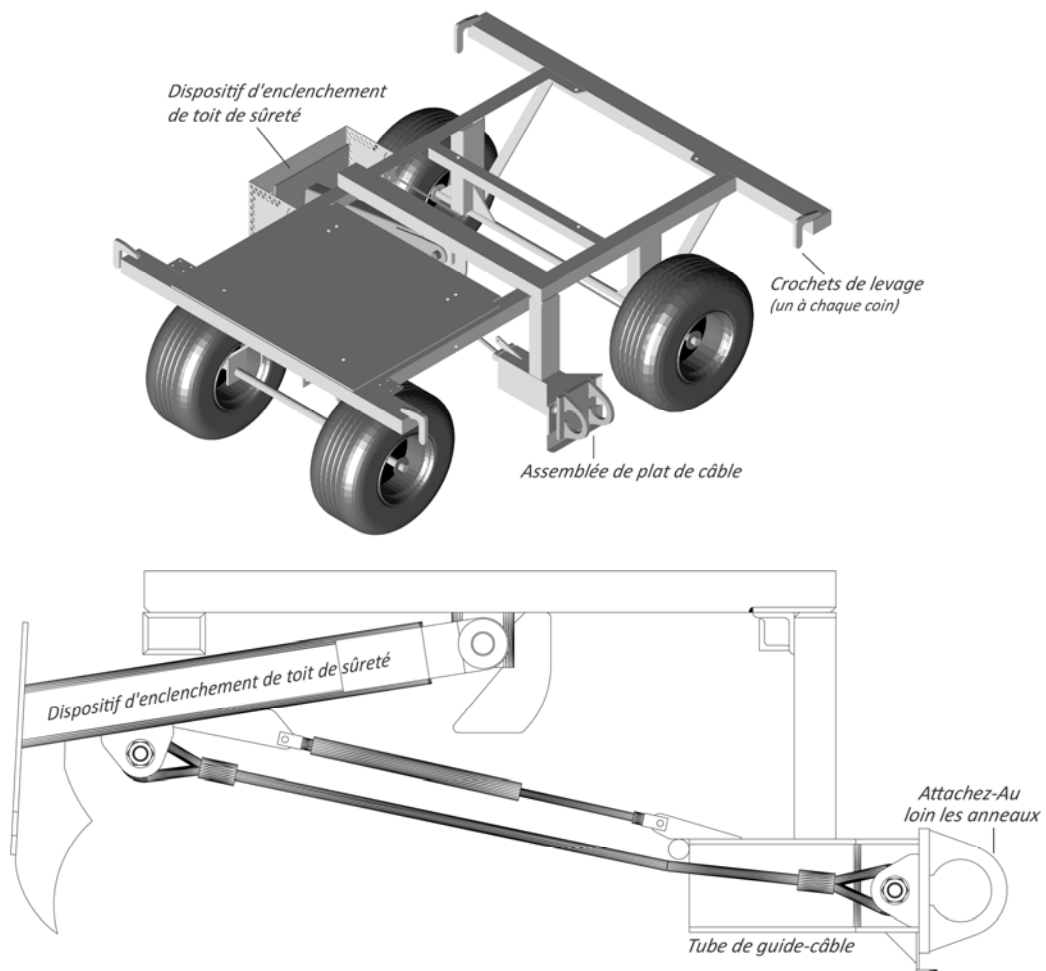
F  
R  
A  
N  
Ç  
A  
I  
S

Copyright © 2009 par AES Raptor, LLC

IMPRIMÉ AUX ÉTATS-UNIS D'AMÉRIQUE

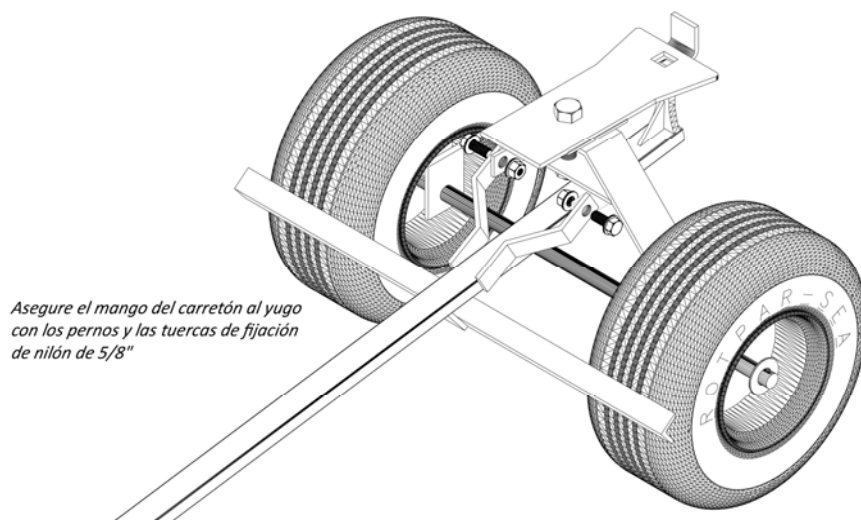
# MANUEL D'INSTRUCTIONS DU SYSTÈME AES RAPTOR R1000™

## SCHÉMA DES PIÈCES



## CONCEPTION EN INSTANCE DE BREVET

**1.0 ASSEMBLAGE:** Après avoir déballé le Raptor, boulonnez la poignée du chariot à l'étrier avec les boulons d'1,5 x 5 cm (5/8 x 2 po) et les contre-écrous en nylon d'1,5 cm (5/8 po). Référez-vous à l'illustration ci-dessous:



# MANUEL D'INSTRUCTIONS DU SYSTÈME AES RAPTOR R1000™

## 2.0 APPLICATIONS

- 2.1 Le chariot antichute mobile Raptor R1000 est conçu pour être utilisé comme un point d'ancrage dans le cadre d'un système de protection antichute personnel. Le Raptor R1000 peut être utilisé dans les zones où une mobilité du travailleur et une protection antichute sont requises.
- 2.2 Le Raptor R1000 est utilisé en tant que partie d'un système de protection antichute mobile. Les systèmes de protection antichute personnels incluent généralement un harnais complet, un point d'ancrage, des connecteurs, des cordes d'assurance autorétractables et des longes.
- 2.3 Lorsqu'il est correctement installé, le Raptor R1000 permet à deux travailleurs d'être attachés pour l'arrêt antichute (lorsque les anneaux de fixation pour l'arrêt antichute sont utilisés) et à deux travailleurs supplémentaires d'être attachés pour la retenue antichute si les *anneaux de fixation pour la retenue antichute* ont été installés. Consultez les définitions suivantes:

### DÉFINITIONS:

- A. **Système de retenue antichute** – Un système de protection antichute qui empêche l'utilisateur de tomber de toute distance. Ce système comprend un harnais de sécurité avec un ancrage, des connecteurs et l'équipement requis supplémentaire. Ces composants incluent généralement une longe et peuvent également inclure une corde d'assurance et d'autres dispositifs.
- B. **Système d'arrêt antichute personnel** – Ce système consiste en un ancrage, des connecteurs et un harnais de sécurité, et peut également inclure une corde d'assurance de décélération et d'autres systèmes combinés adaptés. Si le système d'arrêt antichute personnel est utilisé en tant que protection antichute, il doit être conforme aux exigences suivantes:
  - Limitez la force d'arrêt maximum sur un employé à 816 kg (1800 lb) lorsqu'un harnais de sécurité est utilisé
  - L'employé doit être attaché de façon à ne pas être exposé à une chute libre de plus d'1,8 mètre (6 pieds) et à ne pas entrer en contact avec un niveau inférieur
  - L'employé doit être amené à un arrêt complet et la distance de décélération maximum doit être limitée à 1,07 mètre (3,5 pieds)
  - Le système d'arrêt antichute doit pouvoir résister à une force égale à deux fois l'énergie d'impact potentiel d'un employé en chute libre sur une distance d'1,8 mètre (6 pieds) ou sur la distance en chute libre permise par le système, la moindre valeur ayant prévalence

**AES RECOMMANDE D'UTILISER UNE CORDE D'ASSURANCE À CÂBLE AUTORÉTRACTABLE LORSQUE LE RAPTOR R1000 EST UTILISÉ EN TANT QUE DISPOSITIF DE PROTECTION ANTICHUTE.**

## 3.0 USAGE ET LIMITATIONS

### 3.1 UTILISEZ UNIQUEMENT SUR DES SURFACES À FAIBLE PENTE

#### 3.2 LES SURFACES RECOMMANDÉES INCLUENT:

1. Membranes multicouches
2. Membranes en PVC modifiées
3. Membranes en polyoléfine thermoplastique (TPO)
4. Membranes en terpolymère éthylène-propylène-diène (EPDM)
5. Membranes en terpolymère éthylène-propylène-diène (EPDM) modifiées
6. Membranes de bitume modifiées
7. Platelages en acier (calibre 20 et 22 UNIQUEMENT)
8. Dens-Deck
9. Panneau dur
10. Contreplaqué
11. Béton léger
12. Panneau de gypse
13. Polyisocyanurate (ISO)
14. Polystyrène expansé (EPS)
15. Surfaces plates de 0,5:12 (le R1000 peut être utilisé sur des pentes de 0,5:12 à 1:12 lorsque le système de freinage en option est utilisé)

#### 3.3 N'UTILISEZ PAS LES SYSTÈMES RAPTOR SUR LES SURFACES SUIVANTES:

1. Platelages Tectum
2. Platelages en acier d'un calibre inférieur à 22 ou supérieur à 20 (platelage structurel)

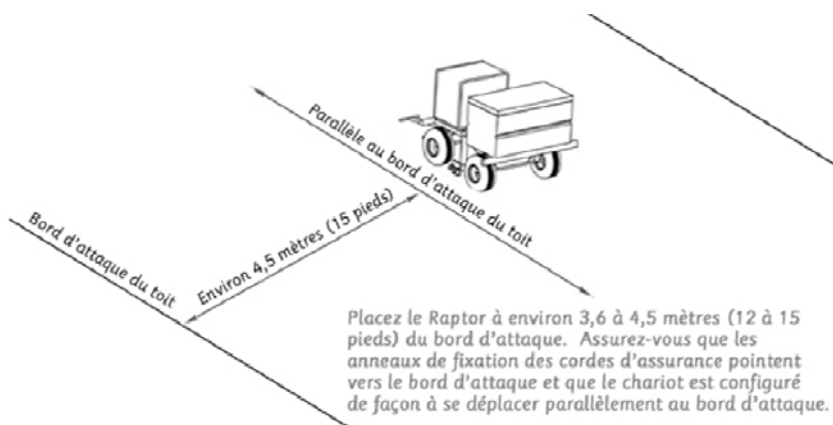
# MANUEL D'INSTRUCTIONS DU SYSTÈME AES RAPTOR R1000™

3. Matériau posé non fixé ne faisant pas partie d'un système fini complet
4. Gel et glace
5. Neige

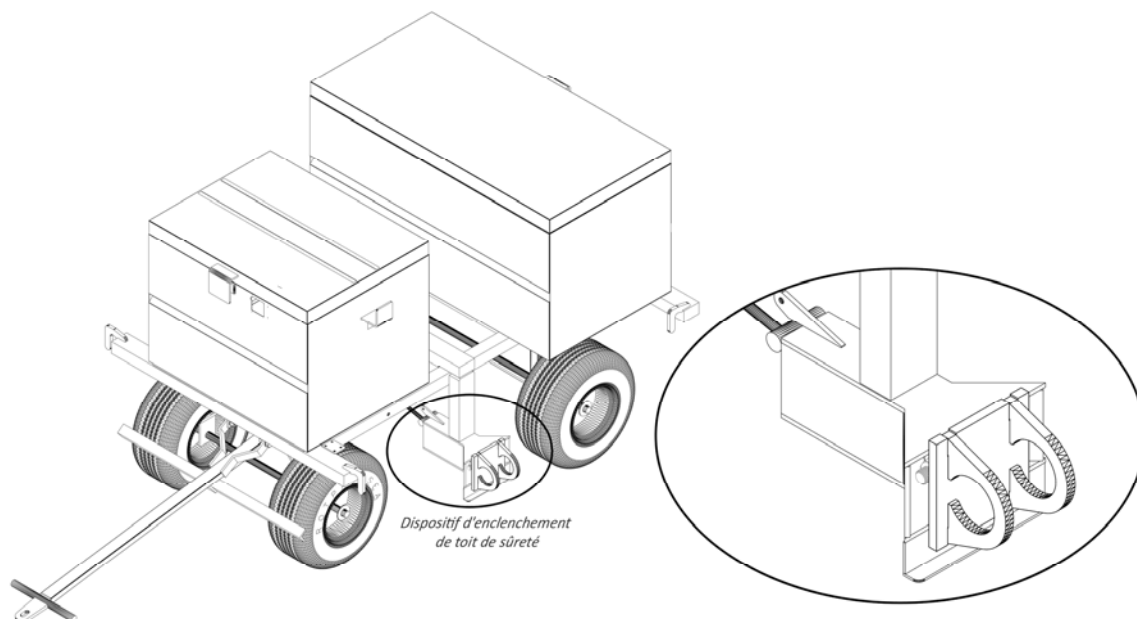
## **\*\* AVANT DE HISSER UN RAPTOR SUR TOUTE SURFACE DE TOITURE\*\***

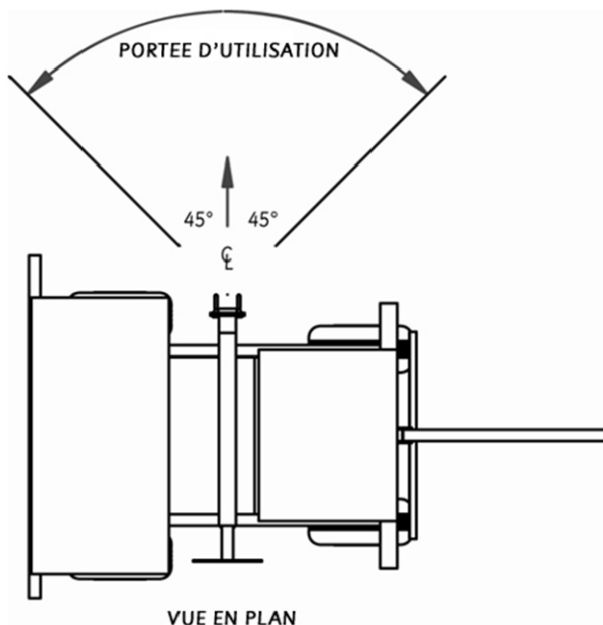
**L'ENTREPRENEUR DOIT VÉRIFIER QUE LE PLATELAGE PEUT RÉPONDRE AUX EXIGENCES DE SURCHARGE DU RAPTOR.**

- 3.4 CAPACITÉ: Le système de protection antichute mobile Raptor R1000 est conçu pour un maximum de deux personnes pour l'arrêt antichute et de deux personnes pour la retenue antichute (lorsque les *anneaux de fixation de retenue antichute* en option sont utilisés) avec un poids combiné (vêtements, outils) de 310 livres maximum par personne. Quatre (4) personnes maximum peuvent être connectées au Raptor R1000 à tout moment.
- 3.5 POSITION: Tout d'abord, vérifiez que la surface sur laquelle le Raptor R1000 doit être installé est capable de supporter le produit et le personnel l'utilisant. Une évaluation complète de la totalité des zones avoisinantes doit être effectuée pour déterminer si les surfaces de travail possèdent la résistance et l'intégrité structurelle permettant de supporter les utilisateurs en toute sécurité.
- A. Placez le Raptor à environ 3,6 à 4,5 mètres (12 à 15 pieds) du bord d'attaque. Assurez-vous que les anneaux de fixation des cordes d'assurance pointent vers le bord d'attaque et que le chariot est configuré de façon à se déplacer parallèlement au bord d'attaque. Référez-vous à l'illustration ci-dessous:



- B. Accrochez les cordes d'assurance aux anneaux de fixation des cordes d'assurance. Référez-vous à l'illustration ci-dessous:





## 4.0 CONNEXIONS:

- 4.1 Connectez uniquement la plaque de fixation de sécurité au bras d'enclenchement de sécurité à l'aide du câble de sécurité fourni. Si le câble de sécurité est cassé, mettez-le immédiatement hors service et contactez AES Raptor, LLC au 1-888-990-2990. Si le câble de sécurité est perdu ou volé, contactez AES Raptor, LLC au 1-888-990-2990.
- 4.2 N'accrochez PAS la corde d'assurance aux crochets de levage spéciaux prévus pour le levage; la corde d'assurance ne doit être accrochée qu'aux anneaux de fixation des cordes d'assurance.
- 4.3 Au moment d'effectuer les connexions, utilisez uniquement les porte-mousquetons à verrouillage automatique et les mousquetons à verrouillage automatique avec cet équipement. Utilisez uniquement les connecteurs adaptés à chaque application. Assurez-vous que toutes les connexions sont compatibles au niveau de la taille, de la forme et de la résistance. N'utilisez pas d'équipement non compatible. Assurez-vous que tous les connecteurs sont complètement fermés et verrouillés.

## 5.0 ANNEAUX DE FIXATION DE RETENUE ANTICHUTE EN OPTION:

- 5.1 Les anneaux de fixation de retenue antichute peuvent être installés d'un côté ou de l'autre du bras d'enclenchement de sécurité. Fixez les anneaux à l'aide d'une douille de 1 1/8 po et d'un cliquet.
- 5.2 Les configurations de fixation doivent être effectuées de façon à empêcher qu'une personne ne puisse tomber par-dessus un bord d'attaque.
- 5.3 Remarque: Si d'autres options telles que le système d'alerte Raptor ou le système de sauvetage Raptor sont installées sur le R1000, l'utilisation des ancrages de retenue antichute peut être restreinte.

## 6.0 AVANT CHAQUE UTILISATION:

- 6.1 La norme OSHA 1926.502 exige qu'une inspection soit effectuée en vue de détecter tout équipement endommagé, avant d'utiliser le système.

### ÉTAPES DE L'INSPECTION

- ÉTAPE 1: Assurez-vous qu'il n'y a pas de pièces desserrées, tordues ou endommagées.
- ÉTAPE 2: Vérifiez que les connexions soudées ne sont pas tordues, fissurées ou autrement endommagées.
- ÉTAPE 3: Vérifiez que les anneaux en D ne sont pas tordus ou endommagés.

# MANUEL D'INSTRUCTIONS DU SYSTÈME AES RAPTOR R1000™

- ÉTAPE 4: Vérifiez que les câbles ne sont pas rouillés et/ou usés avant chaque utilisation – Si le câble ou les connexions de câble sont endommagés, NE L'UTILISEZ PAS.
- ÉTAPE 5: Toutes les étiquettes doivent être présentes et entièrement lisibles. (Des copies de toutes les étiquettes sont attachées à la fin de ce manuel pour permettre une vérification précise)
- ÉTAPE 6: Vérifiez l'absence de corrosion sur toute l'unité.
- ÉTAPE 7: Vérifiez que la plaque de fixation de l'anneau du câble de sécurité peut bouger librement.
- ÉTAPE 8: Vérifiez que le bras d'enclenchement peut bouger librement.

**N'UTILISEZ PAS UN ÉQUIPEMENT ENDOMMAGÉ. N'UTILISEZ PAS UN ÉQUIPEMENT QUI A ÉTÉ MODIFIÉ.**  
(Utilisez le journal d'inspection et d'entretien à la page 30.)

## SOIN ET ENTRETIEN:

- A. Inspectez tout l'équipement et toutes les pièces du Raptor R1000 avant et après chaque utilisation.
- B. Maintenez les roues dégagées de tout débris et amas de toiture. Les accumulations d'asphalte ou d'adhésif sur les pneus peuvent compromettre le bon fonctionnement des freins des roues.
- C. Inspectez régulièrement tous les boulons et toutes les broches. Les broches endommagées ou manquantes peuvent gravement compromettre la fonction de sécurité du Raptor.
- D. Maintenez la peinture de finition en bon état pour éviter la corrosion.

## 7.0 SÉCURITÉ GÉNÉRALE

- 7.1 FAITES PREUVE DE BON SENS! La plupart des accidents peuvent être évités en utilisant son bon sens et en se concentrant sur la tâche à effectuer.
- 7.2 Le Raptor R1000 ne doit pas être utilisé par des personnes dont les capacités et la vigilance sont compromises par la fatigue, les boissons alcoolisées, les médicaments sous ordonnance et les drogues illicites, ou toute autre cause physique exposant l'utilisateur et autrui à des blessures.
- 7.3 Portez toujours les vêtements et l'équipement de sécurité adéquats.
- 7.4 Gardez les pieds et les mains à l'écart des pièces en mouvement. NE mettez PAS les mains et les doigts dans l'équipement lorsqu'il fonctionne.
- 7.5 N'utilisez pas l'équipement près de lignes électriques.
- 7.6 Maintenez une pression des pneus du chariot adéquate et uniforme.
- 7.7 Ne permettez aucun passager sur le chariot de sécurité.
- 7.8 Relâchez la poignée et serrez le frein lorsque l'équipement n'est pas utilisé.
- 7.9 Assurez-vous que le bras de sécurité fonctionne correctement. Assurez-vous que toutes les zones directement en dessous et à l'avant du chariot sont dégagées et ne comportent pas de débris.
- 7.10 N'utilisez pas sur les toits glacés ou gelés.
- 7.11 Utilisez le chariot uniquement sur une surface ou un toit dont la composition a été approuvée.
- 7.12 N'installez pas le chariot sur des matériaux non fixés. Les matériaux peuvent glisser s'ils ne sont pas mécaniquement attachés au toit.

## 8.0 SÉCURITÉ DU GÉNÉRATEUR:

- 8.1 Ne laissez jamais les rallonges et les connexions de la prise reposer dans de l'eau. Placez l'équipement de façon à ce qu'il ne puisse pas tomber dans de l'eau.

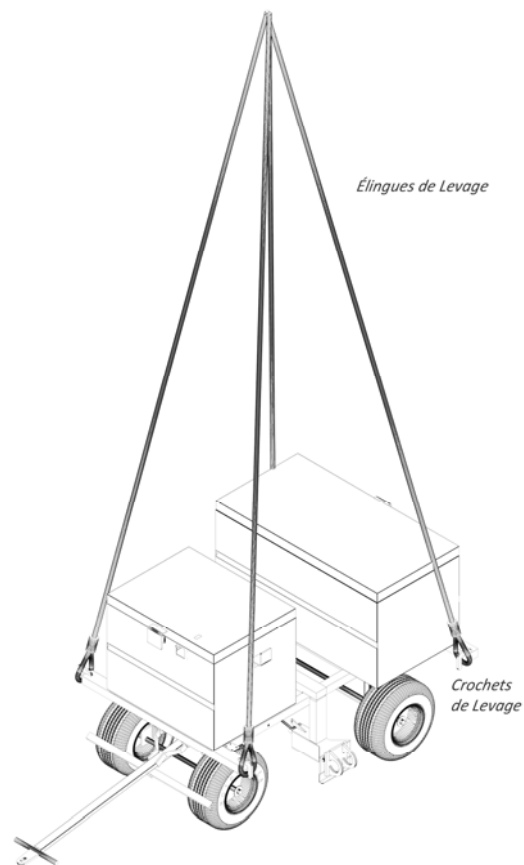
- 8.2 N'utilisez jamais des cordons dont l'isolation est effilochée, coupée ou friable. Inspectez le cordon électrique sur le moteur pour détecter les entailles éventuelles dans l'isolation et pour vous assurer que les connexions de la prise de l'interrupteur de défaut à la terre et du moteur sont bonnes.
- 8.3 Utilisez uniquement dans des zones bien ventilées.
- 8.4 Ne respirez pas les gaz d'échappement lors de travaux près du moteur. (Les gaz d'échappement sont inodores et peuvent être fatals.)
- 8.5 Maintenez les organes du système d'échappement bien serrés et en bon état de marche.
- 8.6 Les pièces du système d'échappement atteignent des températures très élevées et restent brûlantes après que le moteur est arrêté: ne les touchez pas.
- 8.7 Ne faites jamais l'appoint de carburant lorsque le moteur tourne. Arrêtez le moteur et laissez-le laisser refroidir. Évitez de renverser du carburant.
- 8.8 Ne faites pas l'appoint en carburant près d'une flamme nue; essuyez le carburant renversé.
- 8.9 Ne retirez jamais l'équipement installé en usine du chariot. Si toute pièce de l'équipement est retirée, le chariot doit être considéré inutile en tant que protection antichute.
- 8.10 Le cas échéant: consultez toujours les manuels de l'utilisateur du générateur/compresseur d'air pour les instructions d'utilisation et les mesures de sécurité.

## 9.0 LEVAGE:

### \*AVERTISSEMENT\*

- 9.1 Les charges peuvent glisser si les procédures de levage et d'assemblage des crochets de levage ne sont pas respectées.
- 9.2 La chute d'une charge peut causer des blessures graves, voire mortelles.
- 9.3 N'utilisez pas avec des élingues ou des chaînes endommagées. Pour les critères d'inspection, consultez la norme ASME B30.9.
- 9.4 Utilisez un équipement de gréage approprié, adapté au levage aérien.
- 9.5 Utilisez l'équipement de fixation conformément aux normes de l'industrie et aux instructions du fabricant.
- 9.6 Effectuez une inspection et un entretien réguliers de l'équipement de fixation.
- 9.7 **N'accrochez PAS la corde d'assurance aux crochets de levage spéciaux prévus pour le levage.**
- 9.8 Le Raptor a été conçu pour être levé par une grue à l'aide d'une élingue de câble métallique à quatre pieds ou d'une élingue chaîne multibrin. Référez-vous à l'illustration à la page suivante pour les procédures de levage appropriées.

### SCHÉMA DE LEVAGE



# MANUEL D'INSTRUCTIONS DU SYSTÈME AES RAPTOR R1000™

## ÉTIQUETTES D'AVERTISSEMENT

À chaque inspection, utilisez cette page pour vérifier que les six étiquettes d'avertissement sont présentes et entièrement lisibles.



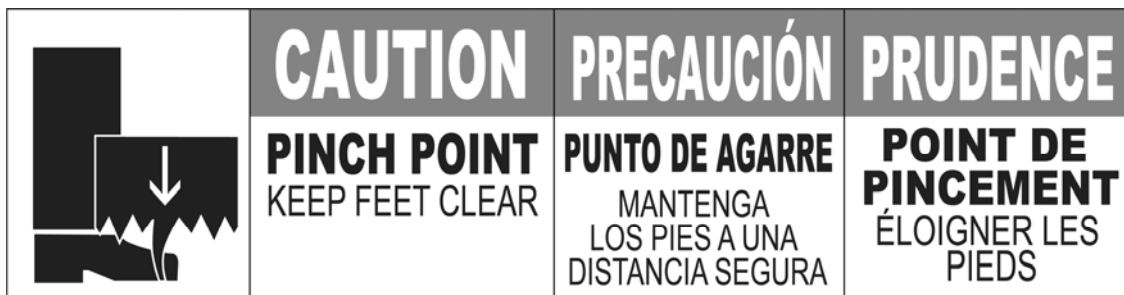
(Chaque anneau de levage doit comporter une étiquette, pour un total de quatre)

<b>WARNING:</b>	<b>ADVERTENCIA:</b>	<b>AVERTISSEMENT</b>
<p>This product is not designed for storing or transporting flammables, explosives, hazardous wastes or hazardous materials such as containers of solvents, gun powder, dynamite, gasoline, propane or acetylene tanks, etc.</p> <p>Any modification to or unintended use of this product could create a danger of an explosion or other hazardous condition that can result in death, serious injury or property damage.</p>	<p>Este producto no está diseñado para almacenar ni transportar materiales inflamables, explosivos, desperdicios o materiales peligrosos como contenedores de solventes, pólvora, dinamita, gasolina, tanques de propano o de acetileno, etc.</p> <p>Cualquier modificación que se haga a este producto o cualquier uso que se haga del mismo, que no sea el uso para el que se diseñó, podría crear un peligro de explosión u otra condición peligrosa que puede tener como resultado la muerte, las lesiones graves o los daños a la propiedad.</p>	<p>Ce produit n'est pas conçu pour stocker ou transporter des produits inflammables, des explosifs, des déchets dangereux ou des matières dangereuses telles que des bidons de solvant, de la poudre explosive, de la dynamite, de l'essence, des réservoirs de propane ou d'acétylène, etc.</p> <p>Toute modification ou utilisation non prévue de ce produit peut créer un danger d'explosion et d'autres conditions dangereuses, pouvant entraîner la mort, des blessures graves ou des dommages matériels.</p>

(Situé dans la boîte à outils)

<p> <b>WARNING:</b> TO PREVENT BODILY INJURY</p> <p><b>OWNERS AND OPERATORS OF THIS EQUIPMENT SHOULD, PRIOR TO USING:</b></p> <p>Read the instruction manual. Read all warning labels. Know and comply with all OSHA, state and local regulations concerning roofing.</p>	<p><b>OWNER</b></p> <p>All employees should be instructed in the proper use of this equipment prior to use. If the employee cannot read or understand English, please provide a translator. This equipment should not be sold to, traded, or given to any other company or individual without instructing them in its proper use and without providing them with all instructions and warning labels.</p>
<p> <b>ADVERTENCIA:</b> PARA PREVENIR LAS LESIONES CORPORALES</p> <p><b>LOS DUEÑOS Y LOS OPERADORES DE ESTE EQUIPO DEBEN, ANTES DE UTILIZARLO:</b></p> <p>Leer el manual de instrucciones. Leer todos los rótulos de advertencia. Saber y cumplir todos los reglamentos de OSHA, así como los reglamentos locales y estatales relacionados con el techado</p>	<p><b>DUENO</b></p> <p>Todos los empleados deben recibir instrucción sobre el uso apropiado de este equipo antes de utilizarlo. Si el empleado no puede leer o entender inglés, por favor, proporcione un traductor. Este equipo no se debe vender, comerciar ni entregar a ninguna otra compañía o persona sin instruirle en el uso apropiado o sin proporcionarle todas las instrucciones y los rótulos de advertencia.</p>
<p> <b>AVERTISSEMENT:</b> POUR EVITER LES BLESSURES</p> <p><b>LES PROPRIÉTAIRES ET OPÉRATEURS DE CET ÉQUIPEMENT DOIVENT EFFECTUER LES ACTIONS SUIVANTES AVANT D'UTILISER LE PRODUIT:</b></p> <p>Lire le manuel d'instructions. Lire toutes les étiquettes d'avertissement. Connaitre et respecter toutes les normes OSHA et les règlements locaux et provinciaux concernant les travaux de toiture</p>	<p><b>PROPRIÉTAIRE</b></p> <p>Tous les employés doivent être formés à l'utilisation appropriée de cet équipement avant de l'utiliser. Si l'employé ne peut pas lire ou comprendre l'français, un traducteur doit être fourni. Cet équipement ne doit pas être vendu, échangé, ni donné à une autre société ou à une autre personne sans les avoir préalablement formées à son utilisation correcte et sans leur avoir procuré toutes les instructions et étiquettes d'avertissement.</p>

(Situé à l'arrière de la boîte à outils)



(Situé sur le garant)



(Situé sous la poignée de la boîte à outils)



(Situé au-dessus de la ligne de sauvetage de sûreté attachez-au loin le plat d'anneau)



## Journal d'inspection et d'entretien du Raptor

Veillez copier ce journal, le remplir avant chaque utilisation et le conserver dans vos dossiers.

<b>Numéro de série du Raptor:</b>			
<b>Numéro de modèle du Raptor:</b>			
<b>Date d'achat:</b>			
<b>Date d'inspection:</b>			
<b>Article d'inspection noté:</b>	<b>Action corrective nécessaire?</b>	<b>Entretien effectué:</b>	
<b>Pièces générales du chariot</b>	Oui	Non	
Approuvé par:			
<b>Connexion soudée</b>	Oui	Non	
Approuvé par:			
<b>Anneaux de fixation des cordes d'assurance et anneaux en D de levage</b>	Oui	Non	
Approuvé par:			
<b>Câbles</b>	Oui	Non	
Approuvé par:			
<b>Étiquettes</b>	Oui	Non	
Approuvé par:			
<b>Corrosion générale du chariot</b>	Oui	Non	
Approuvé par:			

# AES RAPTOR R1000™ INSTRUCTION MANUAL



Copyright © 2009 by AES Raptor, LLC  
1349 Taney, North Kansas City MISSOURI 64116  
[www.raptorsafety.com](http://www.raptorsafety.com)

PRINTED IN THE UNITED STATES OF AMERICA