

AES RAPTOR UNIVERSAL GUARDRAIL PARAPET CLAMP™

PATENT PENDING



For Perimeter Fall Protection

The AES Raptor Universal Guardrail Parapet Clamp is designed and built to assist in keeping your workers safe while enhancing productivity. It's easy to setup, and works with most existing rail systems, giving them a new flexibility and usefulness. The Universal Guardrail Parapet Clamp can be installed vertically or horizontally, allowing it to work on roofs, soffits, and intermediate levels.

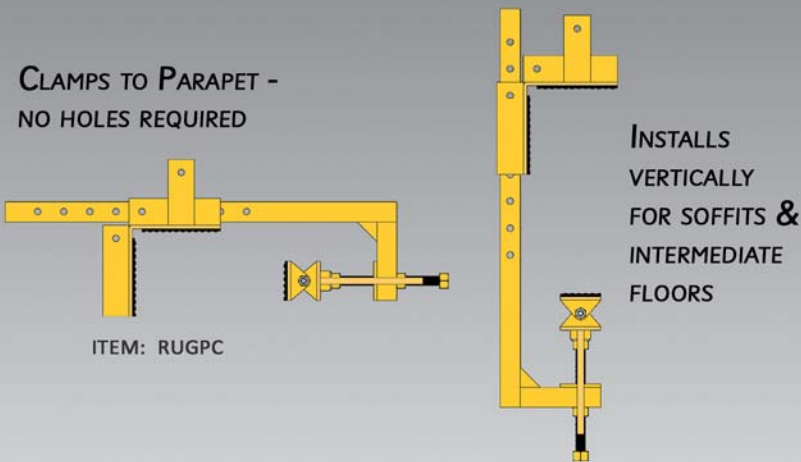
- ***OSHA Compliant***
- ***Easy to use!***
- ***Use with existing railing system***
- ***No holes required***
- ***Flexible to fit most situations***

WWW.RAPTORSAFETY.COM

AES RAPTOR UNIVERSAL GUARDRAIL PARAPET CLAMP™

PATENT PENDING

Use the Raptor Universal Guardrail Parapet Clamp™ with Your Existing Rail System



The Raptor Universal Guardrail Parapet Clamp can be installed vertically or horizontally, allowing it to work on roofs, soffits, and intermediate levels. This flexibility gives the Clamp tremendous advantages on the job site, including the ability to work right up to the surface edge.

Rubber pads on all contact surfaces protect the building parapets and facades.



Raptor Universal Guardrail Parapet Clamp™

For Perimeter Fall Protection

Fast & Easy Set Up!

Compliant with OSHA Regulation 1926.502(b) for guardrail systems.

Works with your existing railing systems, saving money and materials.

Can be installed in a horizontal position for parapet roof edges.

Can be installed in a vertical position for soffits and deck edges.

Expandable from 3" to 24".

Rubber pads protect parapets and building facades.

Enables you to work right to the surface edge.

TOLL-FREE 1-888-990-2990

WWW.RAPTORSAFETY.COM